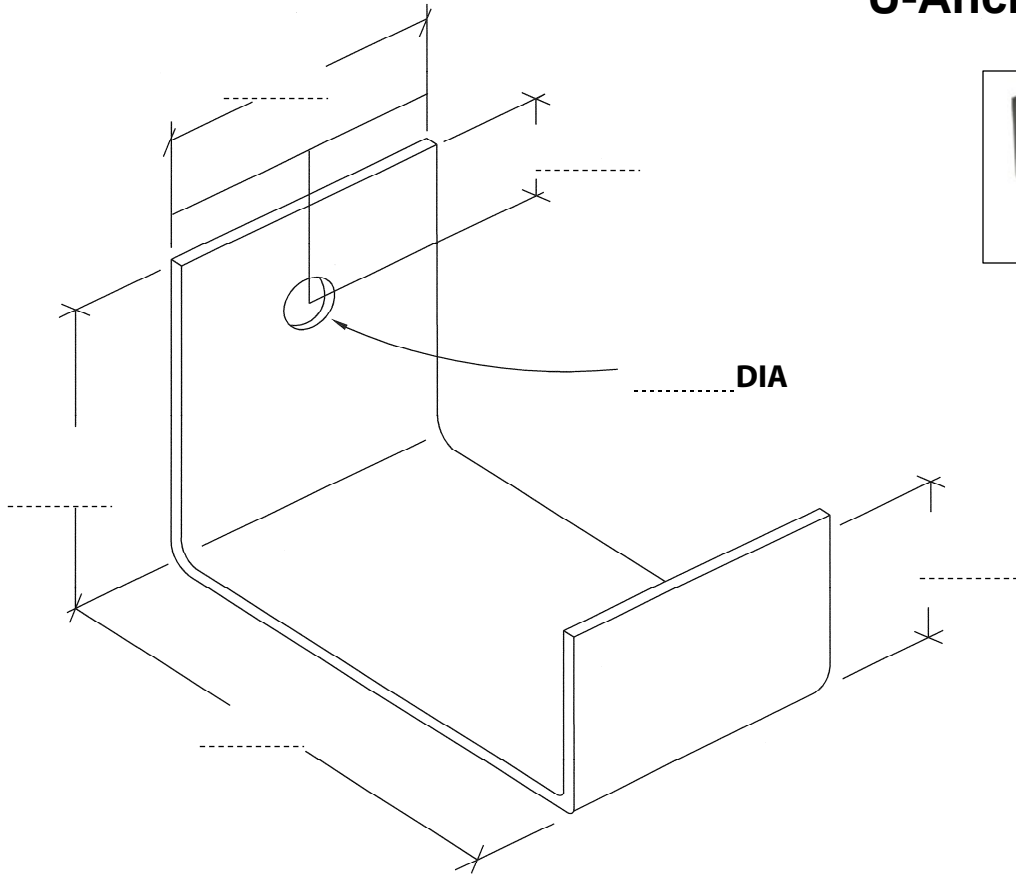


Stone Anchor

AST Series

U-Anchor



QUANTITY:

FINISH:

- Type 304 Stainless Steel* (standard)
- Type 316 Stainless Steel

*ST/ST Min. Fy = 45,000 p.s.i. (ASTM A666)

THICKNESS:

- 1/8" 3/16" 1/4" 3/8"
- Other _____

Type 316 Stainless Steel Available Upon Request

Project Info:

Name: _____

Location: _____

Contact Info:

Name: _____

Company: _____

Phone: _____ Fax: _____

Email: _____

Print Form

*Please SAVE to your file to email: ops@masonaccess.net